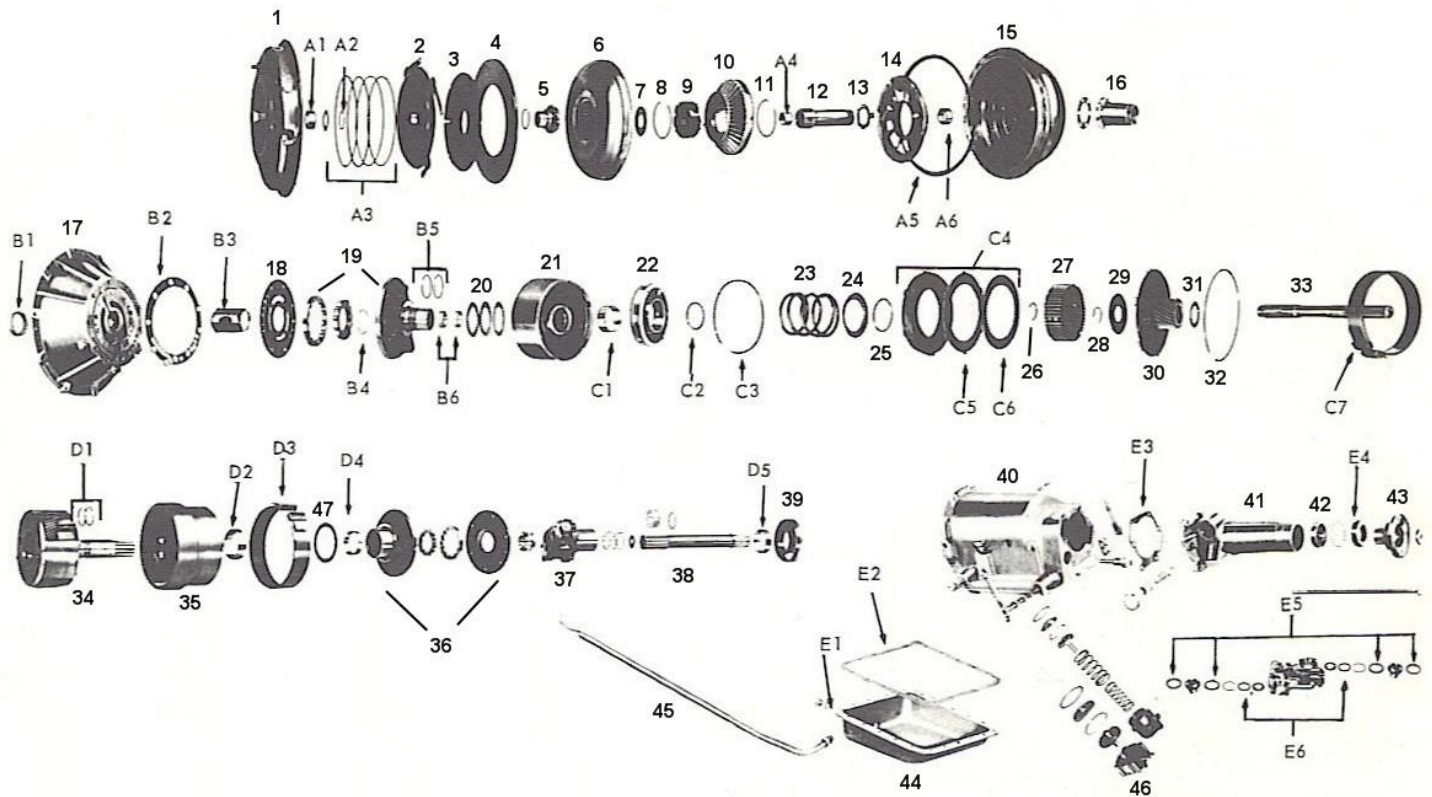


# ULTRAMATIC (1950-1956)



DESCRIPTION	YEAR	PART NUMBER	QTY	REF#/NOTES
<b>KITS</b>				
MASTER KIT W/CLUTCHES & STEELS	1949-1950	U102-1	1	
MASTER KIT W/CLUTCHES & STEELS	1951-1953	U102A-1	1	
MASTER KIT W/CLUTCHES & STEELS	1954	U102A-1	1	W/O GEAR START
MASTER KIT W/CLUTCHES & STEELS	1954	U102D-1	1	W/GEAR START
MASTER KIT W/CLUTCHES & STEELS	1955-1956	U102D-1	1	
MAJOR KIT W/CLUTCHES	1949-1950	U102-2	1	
MAJOR KIT W/CLUTCHES	1951-1953	U102A-2	1	
MAJOR KIT W/CLUTCHES	1954	U102A-2	1	W/O GEAR START
MAJOR KIT W/CLUTCHES	1954	U102D-2	1	W/GEAR START
MAJOR KIT W/CLUTCHES	1955-1956	U102D-2	1	
OVERHAUL KIT	1949-1950	U102-3	1	
OVERHAUL KIT	1951-1953	U102A-3	1	
OVERHAUL KIT	1954	U102A-3	1	W/O GEAR START
OVERHAUL KIT	1954	U102D-3	1	W/GEAR START
OVERHAUL KIT	1955-1956	U102D-3	1	
<b>GASKETS</b>				
PAN GASKET	1949-1956	U1-2	1	E2
CONVERTER GASKET	1949-1954	U11-2	1	A5

<b>FILTER</b>				
FILTER SCREEN	1949-1954	U117	1	NI
FILTER SCREEN	1954-1956	U217	1	NI
<b>O-RINGS</b>				
CONVERTER O-RING	1955-1956	U1-12	1	A5
<b>SEALS</b>				
BELL HOUSING FRONT SEAL	1949-1956	U2-9	1	B1
EXTENSION HOUSING SEAL (2.625")	1949-1950	U1-9A	1	E4
EXTENSION HOUSING SEAL (2.438")	1951-1956	U1-9	1	E4 / (3167Q)
MANUAL LEVER SEAL	1949-1956	U4-9	1	NI
THROTTLE LEVER SEAL	1949-1956	U6-9	1	NI
<b>BANDS</b>				
FRONT & REAR BRAKE BAND	1949-1956	U122	1-2	C7 / D3
<b>FRICTIONS</b>				
FRICTION PLATE – FLAT	1949-1956	D1-1A	6	C6
FRICTION PLATE - WAVED	1949-1956	H1-1	6	C6
<b>STEELS</b>				
STEEL PLATE	1949-1956	U1-1	6	C5
<b>BUSHINGS</b>				
BUSHING KIT	1949-1950	KU106	1	NI
BUSHING KIT	1951-1953	KU106A	1	NI
BUSHING KIT	1954	KU106B	1	W/O GEAR START
BUSHING KIT	1954	KU106C	1	W/GEAR START
BUSHING KIT	1955	KU106D	1	NI
BUSHING KIT	1956	KU106E	1	NI
<b>WASHERS</b>				
THRUST WASHER KIT	1949-1956	CALL	1	NI
<b>SEALING RINGS</b>				
SEALING RING KIT	1949-1950	U104	1	NI
SEALING RING KIT	1951-1953	U104A	1	NI
SEALING RING KIT	1954	U104B	1	W/O GEAR START
SEALING RING KIT	1954	U104C	1	W/GEAR START
SEALING RING KIT	1955-1956	U104D	1	NI
<b>REBUILT/USED HARD PARTS</b>				
CONVERTER BOWL	1949-1956	CALL	1	15

